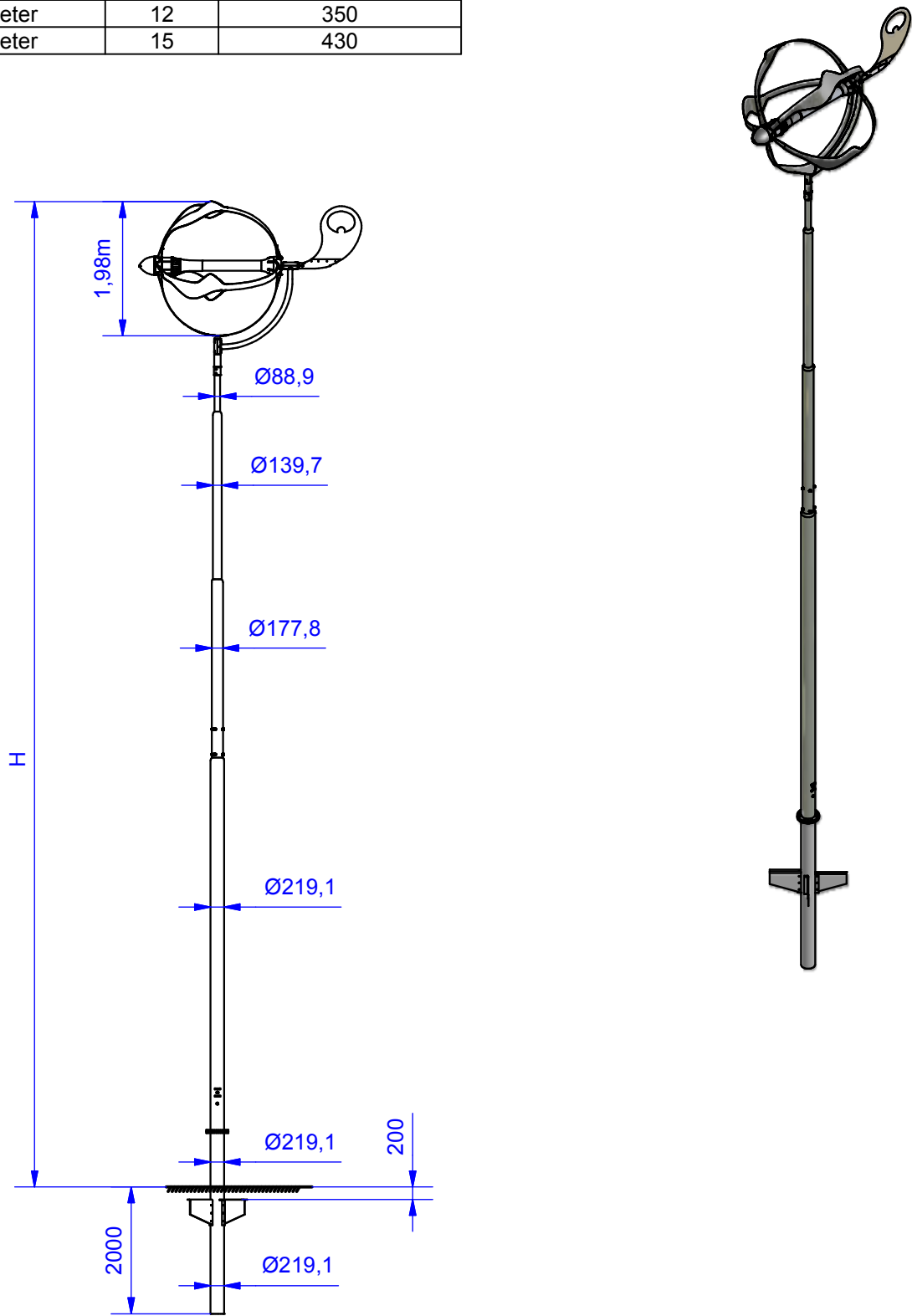


	H (m)	Pole weight (kg)
12 meter	12	350
15 meter	15	430



Home Energy B.V.

Surface treatment:

Property of Home Energy B.V.  
 Reproduction or distribution of information in  
 any form, without written consent of the  
 owner is prohibited!




Drawing: **HE 20 00 002** Rev: **1**

**POLE ENERGY BALL V200**

Tolerances (If not specified):

- BREAK SHARP EDGES : 0,2 x 0,2
- Angles:  $\pm 0,5$
- General tol: NEN-ISO 2768c
- Surface finish to: ISO 1302 / ISO 468

Unit: mm Scale:   
 Size: A4

Product: **ENERGY BALL V200**

Drawn: RvD Date: 17-4-2008

Checked: DvW Rev. date: 23-04-08

Weight: N/A Mat: