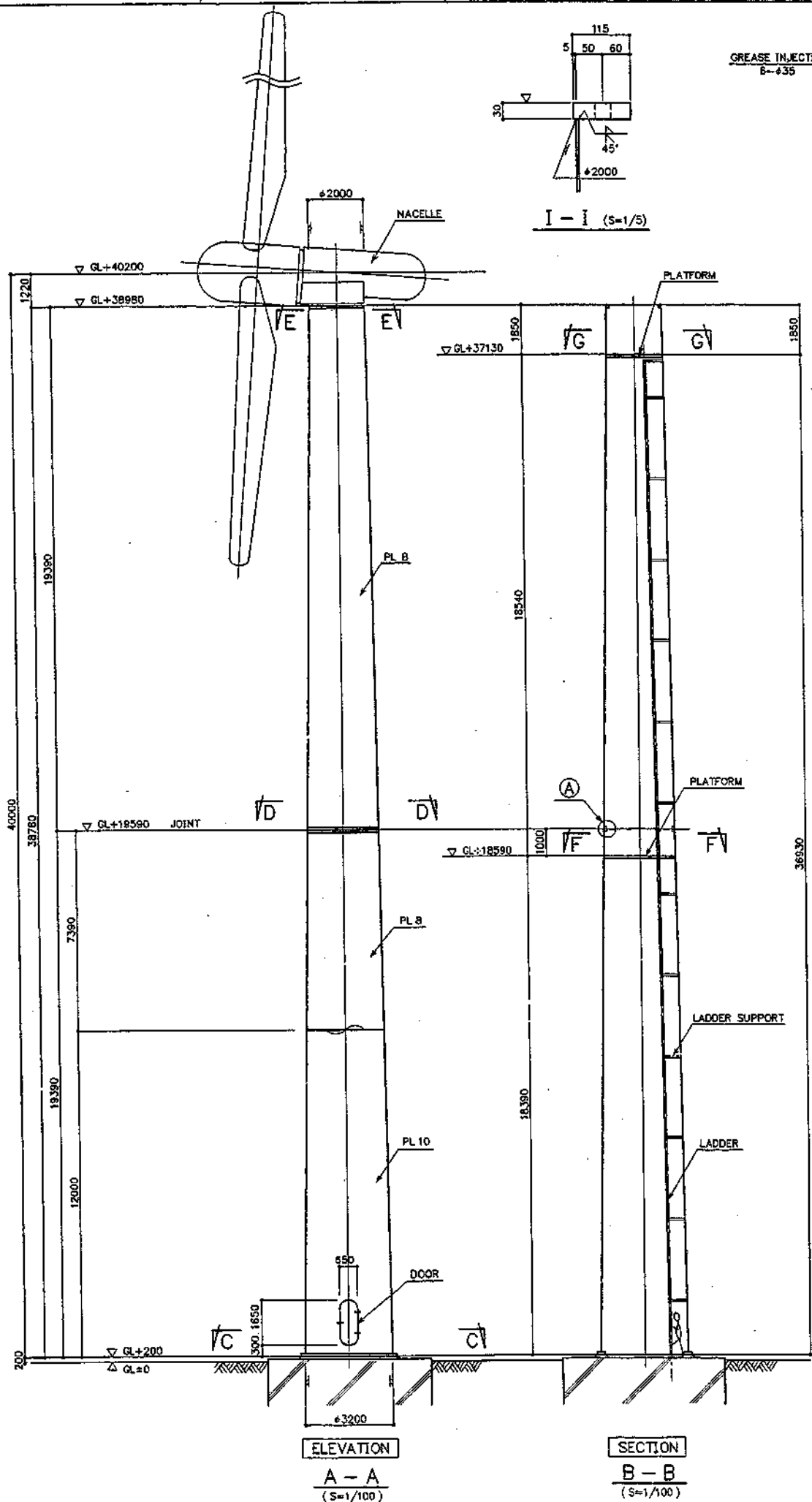


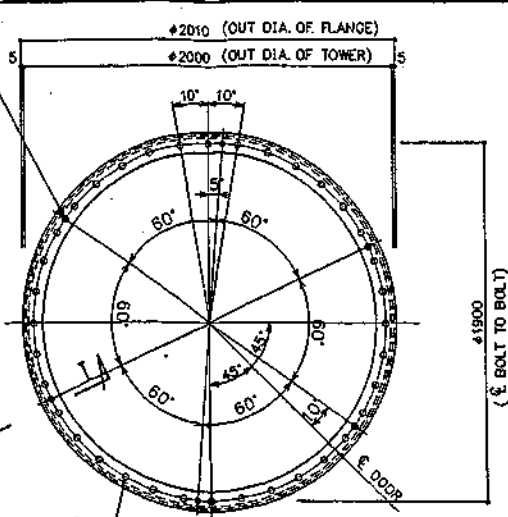
REVISIONS			NO.	DATE	ZONE	APPROVED	DRAWN	PLAN RECORD	
NO.	DESCRIPTION	DATE						NO.	DESCRIPTION
								ISO METRIC SCREW THREADS	
								PREVIOUS DRAWING NO.	

NOTES	
1. MATERIAL	
TOWER	ASTM A36
H. S. BOLT	ASTM A325
ANCHOR BOLT	ASTM A490

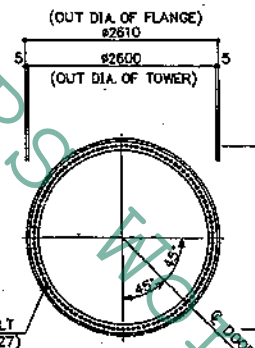


ELEVATION
A-A
(S=1/100)

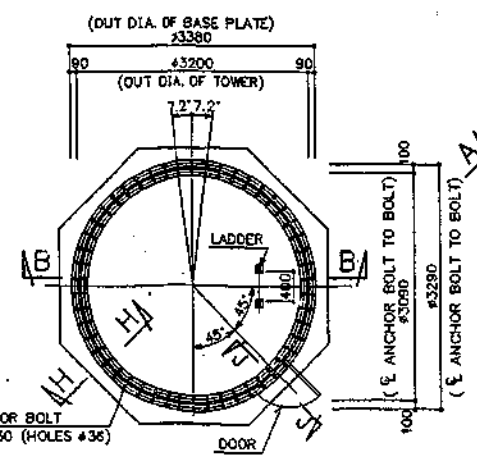
SECTION
B-B
(S=1/100)



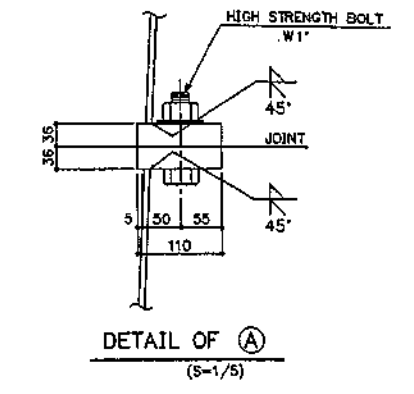
I-I (S=1/5)
GREASE INJECTION HOLE
E-#35 (HOLES)
HIGH STRENGTH BOLT
36-M30 (HOLES #35)
(BY OTHERS ONLY FOR
TOP FLANGE BOLTS)
E-E (S=1/20)
GL+38980



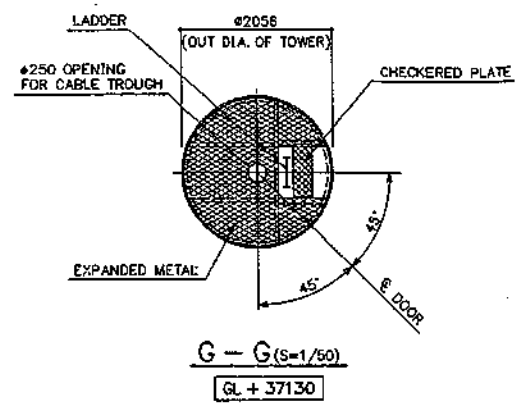
(OUT DIA. OF FLANGE)
#2610
(OUT DIA. OF TOWER)
#2600
D-D (S=1/50)
GL+19590
HIGH STRENGTH BOLT
108-W1" (HOLES #27)



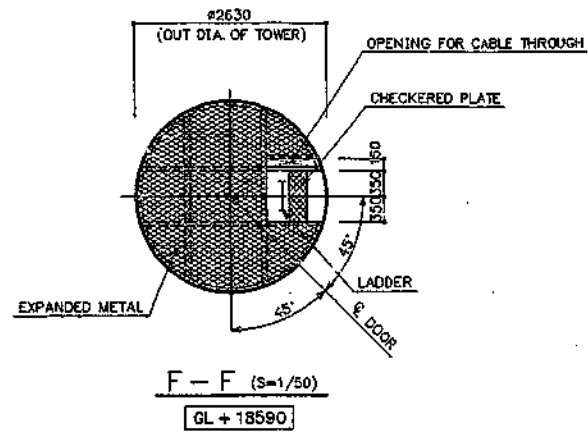
(OUT DIA. OF BASE PLATE)
23380
(OUT DIA. OF TOWER)
43200
C-C (S=1/50)
GL+200
ANCHOR BOLT
100-M30 (HOLES #36)



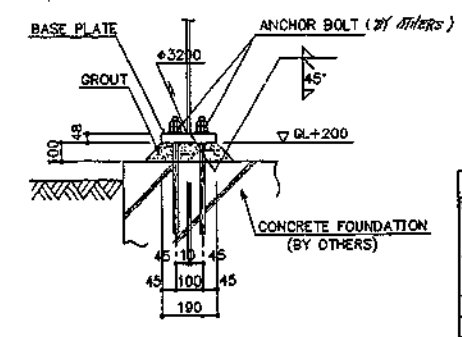
DETAIL OF A
(S=1/5)



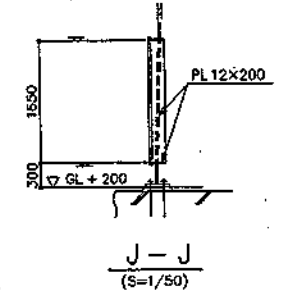
G-G (S=1/50)
GL+37130



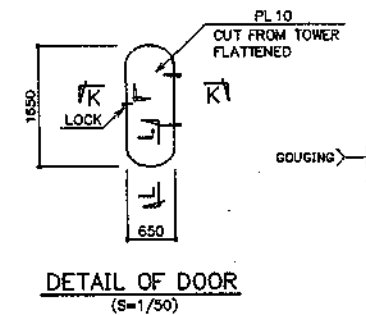
F-F (S=1/50)
GL+18590



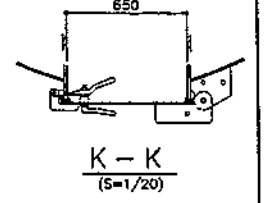
H-H
(S=1/20)



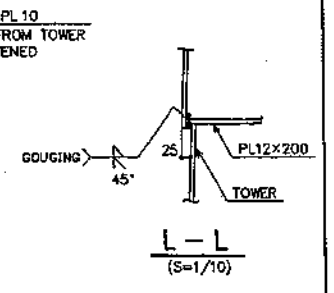
J-J
(S=1/50)



DETAIL OF DOOR
(S=1/50)



K-K
(S=1/20)



L-L
(S=1/10)

FOR FABRICATION

HYD. TEST PRESS.	CIVIL ENGINEERING SECT.	Villa do Bispo Project / Portugal
APPROVED	POWER PLANT CONSTN. DEPT.	
AT SITE	CHECKED	MWT-450 / (500)
CONFORMED	DRAWN	GENERAL PLAN OF TUBULAR TOWER (2 SEGMENTS TOWER)
	SCALE	1/100, 1/50, 1/20
	ORDER	04073
	ITEM	3RD ANGLE PROJECTION (第三角法)
	DRAWING NO.	71260-0052
MITSUBISHI HEAVY INDUSTRIES, LTD. NAGASAKI SHIPYARD & MACHINERY WORKS		